



**Masoneilan**

**36005 Series V-Max®**

Putting You In Control

# 36005 Series V-Max High Capacity Control Ball Valve



*Control Accuracy and Higher Capacities*

With V-Max® You Get The Best of Both Worlds

The Dresser Masoneilan 36005 Series V-Max High Capacity Control Ball Valve is first and foremost a control valve. Unlike other high-capacity ball valve designs, V-Max doesn't sacrifice control accuracy to achieve higher capacities.

V-Max is a high capacity, control ball valve with a patented dual characterized segmented ball design combining high Cv ratings with exceptional 500:1 turndown. It is an excellent solution for both high viscosity fluid applications (i.e. pulp and paper industry) as well as processes requiring very high capacity balanced with accurate control. Standard features also include the environmental packing (EF seal™).

# 36005 Series V-Max®

## High Capacity Control Ball Valve

### Highest Rated Capacities

Of all segmented ball valves, V-Max® has the highest rated capacities. Class leading 500:1 turn-down extends V-Max application range, providing increased application flexibility without the complexity of typical reduced trim options.

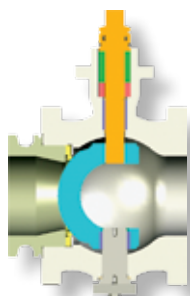
Valve Size		Capacity C <sub>v</sub>
in	DN	
1	25	55
1 - 1 1/2	40	125
2	50	170
3	80	440
4	100	740
6	150	1250
8	200	1860
10	250	3020
12	300	4400

### Advanced Diagnostics - SVI® II AP

Optional SVI II AP advanced performance digital smart valve positioner provides industry leading control accuracy and resolution. A non-contacting position sensor, directly coupled to the valve shaft, eliminates external linkage, simplifying installation. Auto-tune and Auto Calibrate features minimize installation and start-up time, while ensuring consistent positioning accuracy. Advanced diagnostics provide predictive maintenance functionality by warning of impending problems or failure.

### Tailored To Your Application Needs

Three seat types and two face-to-face options allow V-Max to be tailored to your application needs. Standard MN-7 soft-seat construction provides low operating torque and consistent Class VI shut-off. Optional flexible metal seats extend the temperature rating to 316° C (600° F) with Class IV shut-off. The optional Heavy Duty Seat provides increased durability in harsher service environments.



MN-7 Soft Seat design shown with optional extended retainer to meet ANSI B16.10 Short Pattern Ball face to face



Optional Flexible Metal Seat shown with standard retainer meeting ISA S74.04 face-to-face

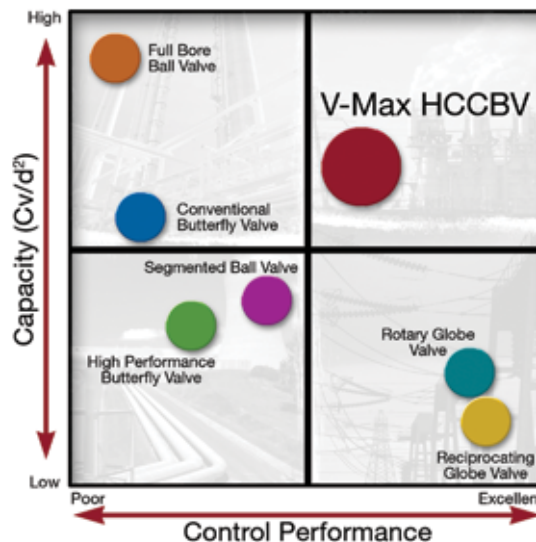
Heavy Duty Seat option provides increased durability in harsh services



TM36005-VMAX 08/10

© 2010 Dresser, Inc. All rights reserved.

### The Best of Both Worlds

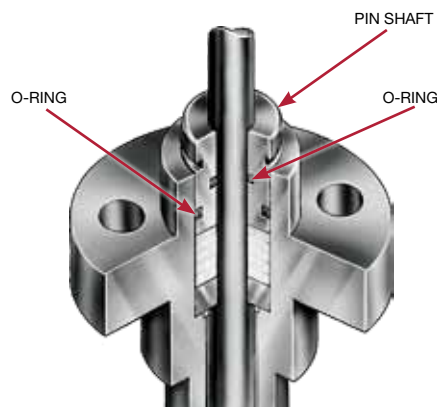


SVI II AP Advanced Performance Digital Valve Positioner



### Dresser Masoneilan EF Seal®

Provides long term reliable extremely low emission shaft seal performance. This economical solution to fugitive emissions won't compromise control performance and is suitable for use in environmentally sensitive applications.



**Standard V-Max Packing Arrangement**  
**EF Seal (Emission Free)**  
**Double O-Ring Seal Packing Follower**  
 Fugitive Emission Containment Package for Zero Leakage†

† Factory Mutual certified report



**Masoneilan**

[www.dresser.com](http://www.dresser.com)